

05 ADAPTOR SERIES

General Information	5-2
Explanation of ISO Pipe Thread	5-4
Thread Symbol List	5-6
ANSI-KF Tubulated Adaptor	5-9
ANSI-KF Tubulated Adaptor with O'Ring Groove ..	5-9
CF-ISO Tubulated Adaptor	5-10
CF-KF Tubulated Adaptor	5-10
ISO-KF Tubulated Adaptor	5-11
CF Reducing Adaptor-Fixed	5-12
CF Reducing Adaptor-Small Flange Rotatable	5-12
KF-VCR Male Adaptor	5-13
KF-VCR Female Adaptor	5-13
KF-Swagelok Adaptor	5-14
KF-Rubber Hose Adaptor	5-14
KF-Male Pipe Adaptor	5-15
KF-Female Pipe Adaptor	5-16
KF-Quick-Disconnect Adaptor	5-17
KF-KF Conical Reducing Adaptor	5-17
ISO-KF Conical Reducing Adaptor	5-18
ISO-ISO Conical Reducing Adaptor	5-18



ADAPTOR SERIES

➤ General Information

Features

- Adaptor flanges mate one type of flange system to another. They are available for all major systems, such as ConFlat-compatible(CF), KF, ISO and ANSI. Unless stated otherwise, all adaptors are stainless steel.
- Most flange systems have been adapted to the ANSI flanges. This catalog lists only the most popular, but we can provide almost unlimited variations and modifications to suit individual requirements.

Specifications

- Flange : 304 S.S. (Other material available upon request)
- Tube or Pipe : 304 S.S. (Other material available upon request)
- Adaptor : 304 S.S.(Other material available upon request)
- Larger or special size available upon request

Applications

- Connection exchange.
- Piping size variations and modifications to suit individual requirement.
- KF female pipe adaptors are used to insert a PT (NPT) threaded pressure gauge or up-to-air valve into a foreline. Often a KF tee is inserted into the foreline joint and the third port closed with an adaptor.
- KF male pipe adaptors are flanged stubs that terminate in threads ranging from 1/8" to 1". Use Teflon tape for sealing threaded joint.



- KF rubber hose adaptors are made from stainless steel with a flange at one end and a rubber tubing adaptor at the other. The tubing adaptor is compatible with standard hose bores.
- KF quick-disconnect adaptor mates a KF flange with an O'ring quick coupling. The quick couplings make a vacuum joint with any smooth-surfaced standard O.D. tube. Their most common application is attaching tubulated ion or thermocouple gauges to a system.



- Swagelok fittings provide a torque-free seal at all tubing connections and eliminate hazardous leaks in instrumentation and process tubing.



- VCR adaptors are used to connect a male or female VCR component to an existing flange system. VCR's seal by the compression of a gasket (usually copper) between two highly polished beads on the surfaces of the VCR connectors.

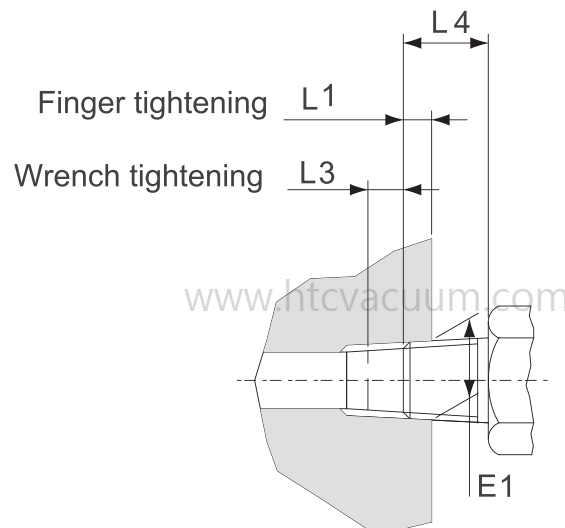


⇒ Explanation of ISO Pipe Thread

- The ISO 228/1 and 7/1 threads were created by the International Standard Organization to standardize the nomenclature of several international pipe threads. The 228/1 is parallel thread system where a pressure tight seal is not made on the thread. With the 228/1, the seal is usually made metal-to-metal against the female port or with a gasket.
- The 7/1 is a tapered system where a pressure tight seal is made on the thread.
- The 7/1 looks similar to the NPT thread, except the 7/1 has a 55° inclined angle on the threads. Also, number of threads per inch varies slightly.

Pipe Thread Symbol

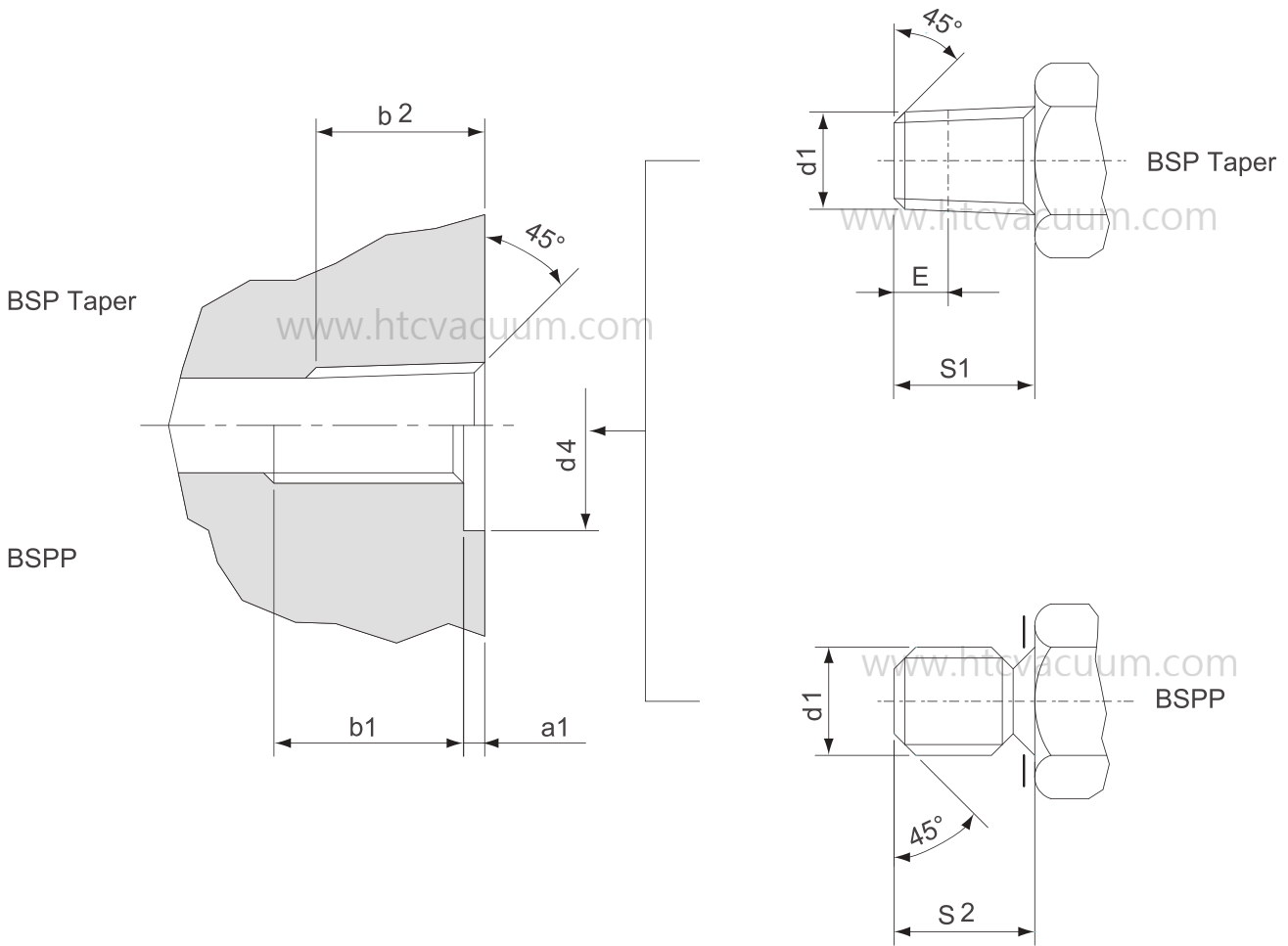
Type	Symbol	Specification
Taper Thread	R (male)	
	Rc (female)	JIS B 0203 (PT), DIN 2999, ISO 7/1, BS21 (BSPT)
	N	ANSI/ASME B1.20.1 (NPT)
Parallel Thread	G	JIS B0202 (PF), ISO 228/1, BS2779 (BSPP), DIN 3852 part 2
	U	American Standard Unified Screw Thread



NPT Thread size	Thread per inch	E1 mm	L1 Nominal mm	L3 nominal		L4 mm
				threads	mm	
1/8	27	9.50	4.10	3	2.82	9.97
1/4	18	12.50	5.79	3	4.23	15.10
3/8	18	15.93	6.10	3	4.23	15.26
1/2	14	19.77	8.13	3	5.44	19.86
3/4	14	25.12	8.61	3	5.44	20.15
1	11-1/2	31.46	10.16	3	6.63	25.01
1-1/4	11-1/2	40.22	10.67	3	6.63	25.62
1-1/2	11-1/2	46.29	10.67	3	6.63	26.04



➔ Explanation of ISO Pipe Thread



BSPP	BSPT	Threads Per Inch	d1 nominal mm	E min mm	d4 max mm	a1 mm	S1 mm	S2 min mm	b1 min mm	b2 mm
1/8	1/8	28	9.73	3.97	15	1	9.53	7.14	8	5.5
1/4	1/4	19	13.16	6.05	19	1.5	14.28	9.40	12	8.5
3/8	3/8	19	16.66	6.35	23	2	14.28	9.40	12	8.5
1/2	1/2	14	20.95	8.16	27	2.5	19.05	14.28	14	10.5
3/4	3/4	14	26.44	9.2	33	2.5	19.05	15.88	16	13
1	1	11	33.25	10.39	40	2.5	23.80	18.24	18	
1-1/4	1-1/4	11	41.91	12.7	50	2.5	24	19.84	20	
1-1/2	1-1/2	11	47.80	12.7	56	2.5	25.4	22.23	22	



⇒ Thread Symbol List

Country	Symbol	Description	Code No.
Japan	M	Metric screw threads	JIS B 0205, 0207
	S	Miniature threads	JIS B 0201
	UNC	Unified coarse threads	JIS B 0206
	UNF	Unified fine threads	JIS B 0208
	Tr	Metric trapezoidal threads	JIS B 0216
	TW	29°trapezoidal threads	JIS B 0222
	R	Male taper pipe threads	JIS B 0203
	Rc	Female taper pipe threads	JIS B 0203
	Rp	Male taper pipe threads for female straight pipe threads	JIS B 0203
	G	Straight pipe threads	JIS B 0202
	PF	Straight pipe threads not include in ISO	JIS B 0202
	PT	Taper pipe threads not include in ISO	JIS B 0203
	PS	Taper pipe threads not include in ISO	JIS B 0203
	CTC	Thin wall cable pipe threads	JIS B 0204
	CTG	Thick wall cable pipe threads	JIS B 0204
	BC	Threads for automobile	JIS B 0225
	SM	Threads for sewing machine	JIS B 0226
	E	Threads for bulb	JIS C 7709
	TV	Tire valve threads for automobile	JIS D 4207
	CTV	Tire valve threads for bicycle	JIS D 9422
ISO	M	Metric screw threads	ISO 261
	S	ISO miniature threads	ISO R 1501
	Tr	ISO metric trapezoidal threads	ISO 2902
	UNC	ISO inch coarse threads	ISO 263
	UNF	ISO inch fine threads	ISO 263
	UNEF	ISO inch extra-fine threads	ISO 263
	UN	ISO inch threads (constant pitch series)	ISO 263
	UNJC	Inch series UNJ threads for aircraft & aerospace (coarse threads)	ISO 3161
	UNJF	Inch series UNJ threads for aircraft & aerospace (fine threads)	ISO 3161
	UNJEF	Inch series UNJ threads for aircraft & aerospace (extra-fine threads)	ISO 3161
	UNJ	Inch series UNJ threads for aircraft & aerospace (constant pitch series)	ISO 3161
	MJ	Metric threads for aircraft & aerospace	ISO 5855
	R	Male taper pipe threads	ISO 7/1
	Rc	Female taper pipe threads	ISO 7/1
	Rp	Male taper pipe threads for female straight pipe threads	ISO 7/1
	G	Straight pipe threads	ISO 228/1
	GL	Threads for glass containers	ISO R 1115
	V	Tire valve threads	ISO 4570/1~3

⇒ Thread Symbol List

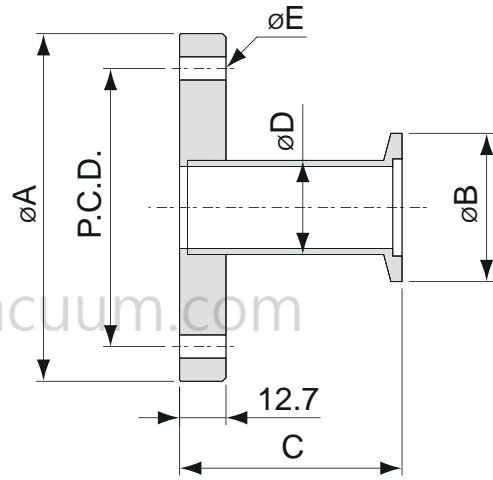
Country	Symbol	Description	Code No.
USA	UN	Unified inch screw threads	ANSI B 1.1
	UNC/UNRC	Unified coarse thread series	ANSI B 1.1
	UNF/UNRF	Unified fine thread series	ANSI B 1.1
	UNEF/UNREF	Unified extra-fine thread series	ANSI B 1.1
	4UN/4UNR	Unified constant-pitch series with 4-threads	ANSI B 1.1
	6UN/6UNR	Unified constant-pitch series with 6-threads	ANSI B 1.1
	8UN/8UNR	Unified constant-pitch series with 8-threads	ANSI B 1.1
	12UN/12UNR	Unified constant-pitch series with 12-threads	ANSI B 1.1
	16UN/16UNR	Unified constant-pitch series with 16-threads	ANSI B 1.1
	20UN/20UNR	Unified constant-pitch series with 20-threads	ANSI B 1.1
	28UN/28UNR	Unified constant-pitch series with 28-threads	ANSI B 1.1
	32UN/32UNR	Unified constant-pitch series with 32-threads	ANSI B 1.1
	UN/UNRS	Unified threads of special diameters, pitches and lengths of engagement	ANSI B 1.1
	NR	American National thread with a 0.108p to 0.144p controlled root radius	MIL-B-7838
	Acme	Acme screw threads	ANSI B 1.5
	Stub -Acme	Stub Acme screw threads	ANSI B 1.8
	Butt	Buttress inch screw threads	ANSI B 1.9
	UNM	Unified miniature thread series	ANSI B 1.10
	NC5	Class 5 interference-fit thread	ANSI B 1.12
	NPT	American Standard taper pipe threads for general use	ANSI/ASME B 1.20.1
	NPTR	American Standard taper pipe threads for railing joint	ANSI/ASME B 1.20.1
	NPSC	American Standard straight pipe threads in pipe couplings	ANSI/ASME B 1.20.1
	NPSL	American Standard straight pipe threads for loose-fitting mechanical joint with locknut	ANSI/ASME B 1.20.1
	NPSM	American Standard straight pipe threads for free-fitting mechanical joint for fixtures	ANSI/ASME B 1.20.1
	NPSH	American Standard straight pipe threads for loose-fitting mechanical joint for hose coupling	ANSI/ASME B 1.20.1
	NPTF	Dryseal American Standard taper pipe threads	ANSI B 1.20.3,1.20.4
	F-PTF	Dryseal fine taper pipe thread series	ANSI B 1.20.3,1.20.4
	PTF -SAE SHORT	Dryseal SAE short taper threads	ANSI B 1.20.3,1.20.4
	PTF -SPL SHORT	Dryseal special short taper pipe threads	ANSI B 1.20.3,1.20.4
	PTF -SPL EXTRA SHORT	Dryseal special extra short taper pipe threads	ANSI B 1.20.3,1.20.4
	SPL -PTF	Dryseal special taper pipe threads	ANSI B 1.20.3,1.20.4
	NPSI	Dryseal American Standard intermediate internal Straight pipe threads	ANSI B 1.20.3,1.20.4



➔ Thread Symbol List

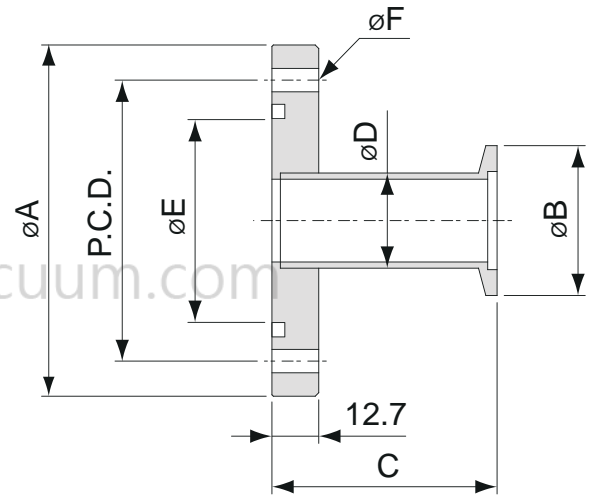
Country	Symbol	Description	Code No.
USA	NPSF	Dryseal American Standard fuel internal straight pipe threads	ANSI B 1.20.3,1.20.4
	ANPT	Aeronautical National Form taper pipe threads	MIL-P-7105
	NGO	National gas outlet threads	ANSI B 57.1
	NGS	National gas straight threads	ANSI B 57.1
	NGT	National gas taper threads	ANSI B 57.1
	SGT	Special gas taper threads	ANSI B 57.1
	NH	Hose coupling and firehose coupling threads	USAS B 2.4
	NHR	Hose coupling and firehose coupling threads	USAS B 2.4
	NPSH	Hose coupling and firehose coupling threads	USAS B 2.4
	AMO	American Standard microscope objective threads	ANSI B 1.11
British	UNS	Unified special series	BS 1580
	B.S.W.	British Standard Whitworth coarse threads	BS 84
	BSF	British Standard fine threads	BS 84
	BSP	British Standard pipe threads	BS 21, 2779
	B. A.	B. A.- Screw threads	BS 93, 1929
	Acme	General purpose, Acme screw threads	BS 1104
	But-tress	Buttress threads	BS 1657
	BSC	Cycle threads	BS 811
	BSMO	Microscope objective threads	BS 3569
	E	Edison screw threads	BS 5042
R. S. M.	Rolled sheet metal screw threads and threads for molded plastics and die-cast materials	BS 2038	
Germany	GL	Glass containers thread	DIN 168
	S	Buttress thread	DIN 513, 2781, 20401
	Rd	Knuckle thread	DIN 405, 262, 264, 3182, 7273, 15403, 20400
	W	Whitworth-gewinde	DIN 168, 477, 6630, 4668, 49301
	KS, KT	Screw seal for packages made of plastics	DIN 6063
	E	Edison screw thread	DIN 40400
	Pg	Steel conduit thread	DIN 40430
	Glasg	Thread for cover glasses, porcelain and cast iron caps	DIN 40450
	Vg	Automobile tire valve thread	DIN 7756
	Gf	Thread for freezing pipes	DIN 4930
	Gg	Thread for drill pipes	DIN 4941, 20314
	HA	Thread for bone screws and nuts	DIN 58810
	RMS	Thread connection for microscope objectives	DIN 58888
FG	Bicycle threads	DIN 79012	

➔ ANSI-KF Tubulated Adaptor



Model No.	Material	A	B	C	D	E*No.	Nominal	P.C.D	Parts No.
ASA4KA40	304 S.S.	108	55	42	38.1	15.8*4	1	79.4	17110301092
ASA4KA50	304 S.S.	108	75	42	50.8	15.8*4	1	79.4	17110301122
ASA5KA40	304 S.S.	127	55	42	38.1	15.8*4	1-1/2	98.4	17110501092
ASA5KA50	304 S.S.	127	75	42	50.8	15.8*4	1-1/2	98.4	17110501122
ASA7KA40	304 S.S.	190.5	55	42	38.1	19*4	3	152.4	17110801092
ASA7KA50	304 S.S.	190.5	75	42	50.8	19*4	3	152.4	17110801122

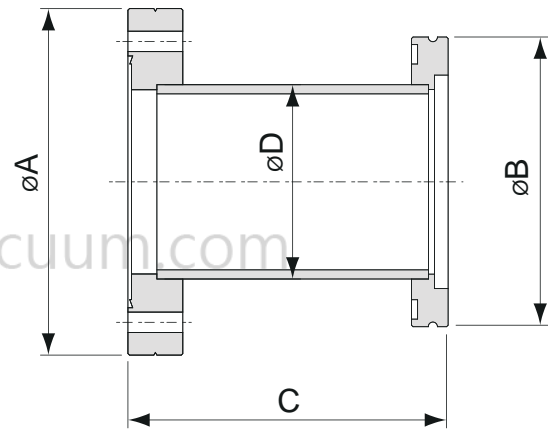
➔ ANSI-KF Tubulated Adaptor with O'Ring Groove



Model No.	Material	A	B	C	D	E	F*No.	Nominal	P.C.D	Parts No.
ASA4OGKA40	304 S.S.	108	55	42	38.1	47.5	15.8*4	1	79.4	17120301092
ASA4OGKA50	304 S.S.	108	75	42	50.8	47.5	15.8*4	1	79.4	17120301122
ASA5OGKA40	304 S.S.	127	55	42	38.1	63.5	15.8*4	1-1/2	98.4	17120501092
ASA5OGKA50	304 S.S.	127	75	42	50.8	63.5	15.8*4	1-1/2	98.4	17120501122
ASA7OGKA40	304 S.S.	190.5	55	42	38.1	117.5	19*4	3	152.4	17120801092
ASA7OGKA50	304 S.S.	190.5	75	42	50.8	117.5	19*4	3	152.4	17120801122

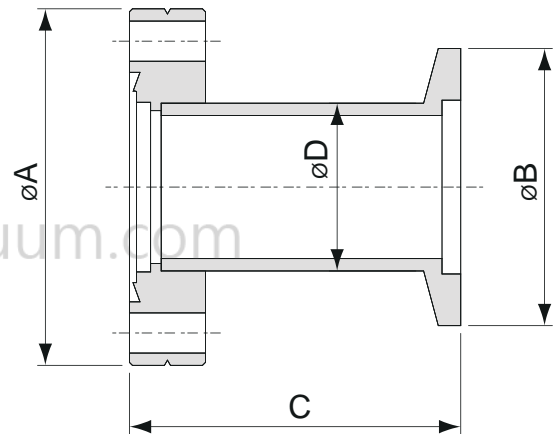


➔ **CF-ISO Tubulated Adaptor**



Model No.	Material	A	B	C	D	Parts No.
CF63S63A	304 S.S.	113.6	95	90	63.5	17080702132
CF100S63A	304 S.S.	151.6	95	90	63.5	17080902132
CF100S100A	304 S.S.	151.6	130	90	101.6	17080902152
ISO160C100A	304 S.S.	151.6	180	90	101.6	17021208152
CF150S63A	304 S.S.	202.5	95	90	63.5	17081102132
CF150S100A	304 S.S.	202.5	130	90	101.6	17081102152
ISO160C150A	304 S.S.	202.5	180	90	152.4	17021208172

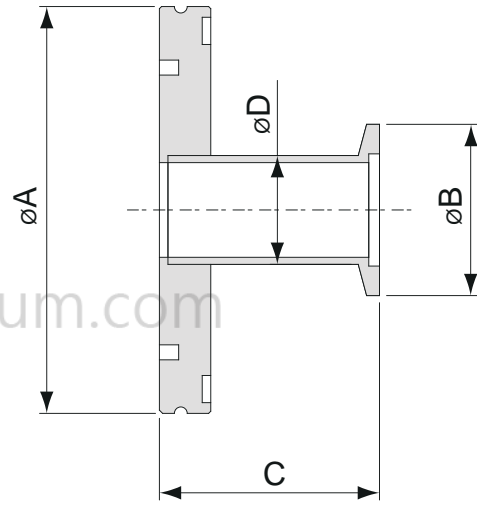
➔ **CF-KF Tubulated Adaptor**



Mod el No.	Material	A	B	C	D	Parts No.
CF16K10A	304 S.S.	33.8	30	43	12.7	17080201032
CF16K16A	304 S.S.	33.8	30	43	19.05	17080201052
CF35K10A	304 S.S.	69.5	30	45.3	12.7	17080401032
CF35K16A	304 S.S.	69.5	30	45.3	19.05	17080401052
CF35K25A	304 S.S.	69.5	40	45.3	25.4	17080401072
CF35K40A	304 S.S.	69.5	55	45.3	38.1	17080401092
CF63K50A	304 S.S.	113.6	75	49.5	50.8	17080701122

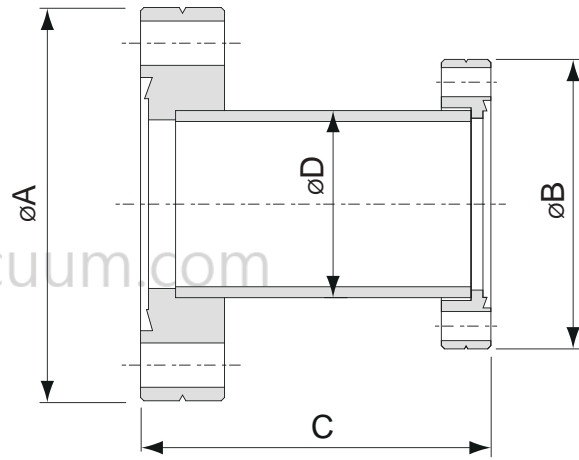


ISO-KF Tubulated Adaptor



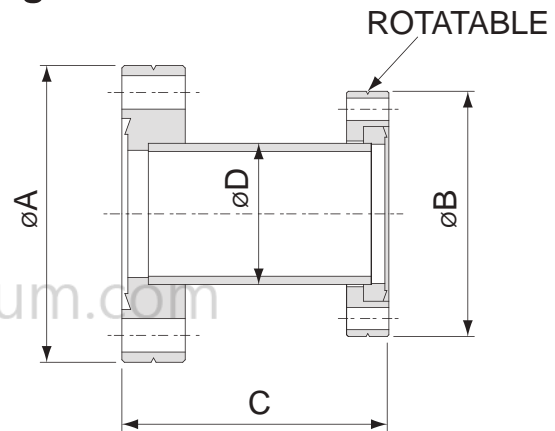
Model No.	Material	A	B	C	D	Parts No.
ISO63KA25	304 S.S.	95	40	42	25.4	17020701072
ISO63KA40	304 S.S.	95	55	42	38.1	17020701092
ISO63KA50	304 S.S.	95	75	42	50.8	17020701122
ISO80KA40	304 S.S.	110	55	42	38.1	17020801092
ISO80KA50	304 S.S.	110	75	42	50.8	17020801122
ISO100KA40	304 S.S.	130	55	42	38.1	17020901092
ISO100KA50	304 S.S.	130	75	42	50.8	17020901122

➔ **CF Reducing Adaptor-Fixed**



Model No.	Material	A	B	C	D	Parts No.
CF35RA16	304 S.S.	69.5	33.8	76.2	19.05	17080408052
CF63RA16	304 S.S.	113.6	33.8	76.2	19.05	17080708052
CF63RA35	304 S.S.	113.6	69.5	76.2	38.1	17080708082
CF100RA35	304 S.S.	151.6	69.5	76.2	38.1	17080908082
CF100RA63	304 S.S.	151.6	113.6	76.2	63.5	17080908132
CF150RA35	304 S.S.	202.5	69.5	76.2	38.1	17081108082
CF150RA63	304 S.S.	202.5	113.6	76.2	63.5	17081108132
CF150RA100	304 S.S.	202.5	151.6	76.2	101.6	17081108152

➔ **CF Reducing Adaptor-Small Flange Rotatable**

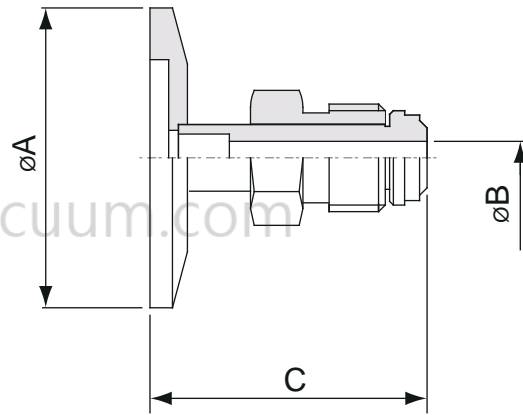


Model No.	Material	A	B	C	D	Parts No.
CF35RA16R	304 S.S.	69.5	33.8	76.2	19.05	17080406052
CF63RA16R	304 S.S.	113.6	33.8	76.2	19.05	17080706052
CF63RA35R	304 S.S.	113.6	69.5	76.2	38.1	17080706082
CF100RA35R	304 S.S.	151.6	69.5	76.2	38.1	17080906082
CF100RA63R	304 S.S.	151.6	113.6	76.2	63.5	17080906132
CF150RA35R	304 S.S.	202.5	69.5	76.2	38.1	17081106082
CF150RA63R	304 S.S.	202.5	113.6	76.2	63.5	17081106132
CF150RA100R	304 S.S.	202.5	151.6	76.2	101.6	17081106152

- Part number plus "K" for sand blasting surface
- Part number plus "L" for polished surface

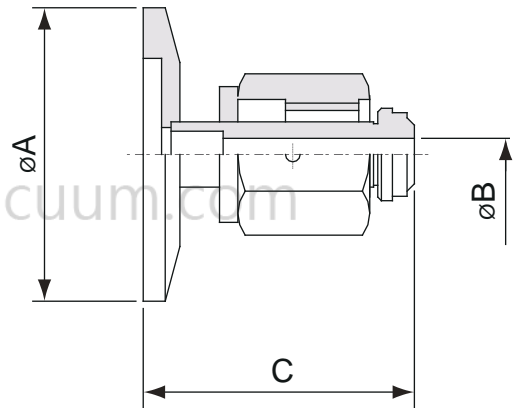


⇒ KF-VCR Male Adaptor



Model No.	Material	A	B	C	VCR	Parts No.
KF16MVCR6	304 S.S.	30	4.4	37	1/4"	17010216012
KF16MVCR13	304 S.S.	30	10.4	41.9	1/2"	17010216032
KF25MVCR6	304 S.S.	40	4.4	37	1/4"	17010316012
KF25MVCR13	304 S.S.	40	10.4	41.9	1/2"	17010316032
KF40MVCR6	304 S.S.	55	4.4	37	1/4"	17010516012
KF40MVCR13	304 S.S.	55	10.4	41.9	1/2"	17010516032
KF50MVCR6	304 S.S.	75	4.4	37	1/4"	17010616012
KF50MVCR13	304 S.S.	75	10.4	41.9	1/2"	17010616032

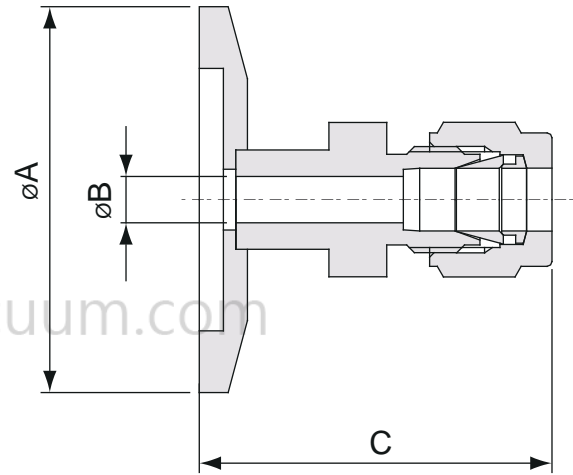
⇒ KF-VCR Female Adaptor



Model No.	Material	A	B	C	VCR	Parts No.
KF16FVCR6	304 S.S.	30	4.4	37	1/4"	17010217012
KF16FVCR13	304 S.S.	30	10.4	41.9	1/2"	17010217032
KF25FVCR6	304 S.S.	40	4.4	37	1/4"	17010317012
KF25FVCR13	304 S.S.	40	10.4	41.9	1/2"	17010317032
KF40FVCR6	304 S.S.	55	4.4	37	1/4"	17010517012
KF40FVCR13	304 S.S.	55	10.4	41.9	1/2"	17010517032
KF50FVCR6	304 S.S.	75	4.4	37	1/4"	17010617012
KF50FVCR13	304 S.S.	75	10.4	41.9	1/2"	17010617032

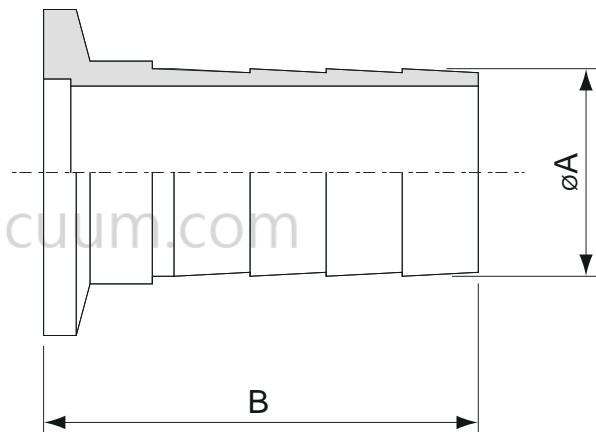


➔ **KF-Swagelok Adaptor**



Model No.	Material	A	B	C	Swagelok	Parts No.
KF16SWA6	304 S.S.	30	4.8	36.6	1/4"	17010219012
KF16SWA13	304 S.S.	30	10.8	45	1/2"	17010219032
KF25SWA6	304 S.S.	40	4.8	36.6	1/4"	17010319012
KF25SWA13	304 S.S.	40	10.8	54.3	1/2"	17010319032
KF40SWA6	304 S.S.	55	4.8	36.6	1/4"	17010519012
KF40SWA13	304 S.S.	55	10.8	54.3	1/2"	17010519032
KF50SWA6	304 S.S.	75	4.8	36.6	1/4"	17010619012
KF50SWA13	304 S.S.	75	10.8	54.3	1/2"	17010619032

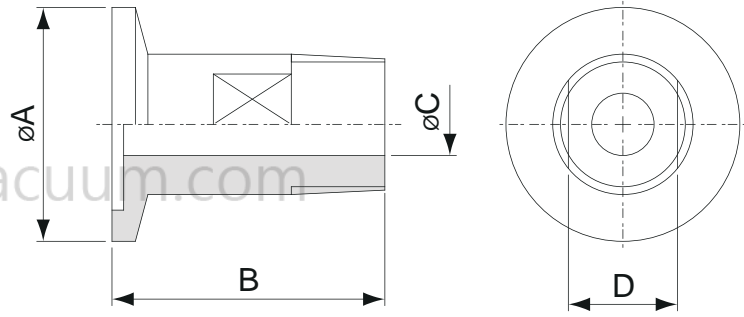
➔ **KF-Rubber Hose Adaptor**



Model No.	Material	A	B	Hose Size	Parts No.
KF10RHA16	304 S.S.	16	40	5/8"	17010118042
KF16RHA19	304 S.S.	19.1	40	3/4"	17010218052
KF25RHA22	304 S.S.	22.2	40	7/8"	17010318062
KF40RHA41	304 S.S.	41.3	40	1-5/8"	17010518102
KF50RHA48	304 S.S.	47.7	40	1-7/8"	17010618112



➔ **KF-Male Pipe Adaptor**



Thread Type: PT

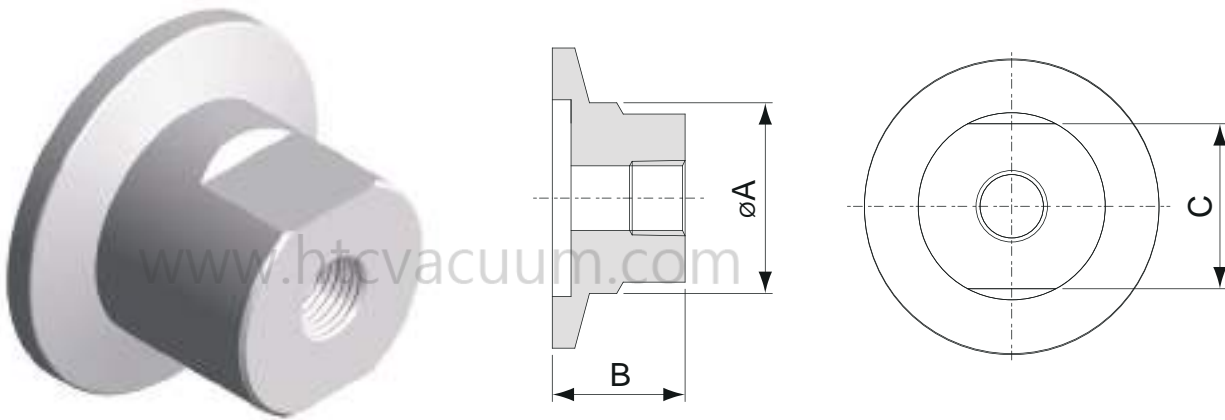
Model No.	Material	A	B	C	D	Tread	Parts No.
KF16MPT3	304 S.S.	30	35	4.7	10	1/8"PT	17010212002
KF16MPT6	304 S.S.	30	35	7.1	14	1/4"PT	17010212012
KF25MPT3	304 S.S.	40	35	4.7	10	1/8"PT	17010312002
KF25MPT6	304 S.S.	40	35	7.1	14	1/4"PT	17010312012
KF25MPT13	304 S.S.	40	40	11.9	22	1/2"PT	17010312032
KF25MPT19	304 S.S.	40	40	15.9	27	3/4"PT	17010312052
KF40MPT6	304 S.S.	55	35	7.1	14	1/4"PT	17010512012
KF40MPT13	304 S.S.	55	40	11.9	22	1/2"PT	17010512032
KF40MPT19	304 S.S.	55	40	15.9	27	3/4"PT	17010512052
KF40MPT25	304 S.S.	55	45	22.2	36	1"PT	17010512072
KF50MPT6	304 S.S.	75	35	7.1	14	1/4"PT	17010612012
KF50MPT13	304 S.S.	75	40	11.9	22	1/2"PT	17010612032
KF50MPT19	304 S.S.	75	40	15.9	27	3/4"PT	17010612052
KF50MPT25	304 S.S.	75	45	22.2	36	1"PT	17010612072

Thread Type: NPT

Model No.	Material	A	B	C	D	Tread	Parts No.
KF16MNPT3	304 S.S.	30	35	4.7	10	1/8"NPT	17010214002
KF16MNPT6	304 S.S.	30	35	7.1	14	1/4"NPT	17010214012
KF25MNPT3	304 S.S.	40	35	4.7	10	1/8"NPT	17010314002
KF25MNPT6	304 S.S.	40	35	7.1	14	1/4"NPT	17010314012
KF25MNPT13	304 S.S.	40	40	11.9	22	1/2"NPT	17010314032
KF25MNPT19	304 S.S.	40	40	15.9	27	3/4"NPT	17010314052
KF40MNPT6	304 S.S.	55	35	7.1	14	1/4"NPT	17010514012
KF40MNPT13	304 S.S.	55	40	11.9	22	1/2"NPT	17010514032
KF40MNPT19	304 S.S.	55	40	15.9	27	3/4"NPT	17010514052
KF40MNPT25	304 S.S.	55	45	22.2	36	1"NPT	17010514072
KF50MNPT6	304 S.S.	75	35	7.1	14	1/4"NPT	17010614012
KF50MNPT13	304 S.S.	75	40	11.9	22	1/2"NPT	17010614032
KF50MNPT19	304 S.S.	75	40	15.9	27	3/4"NPT	17010614052
KF50MNPT25	304 S.S.	75	45	22.2	36	1"NPT	17010614072



➔ **KF- Female Pipe Adaptor**



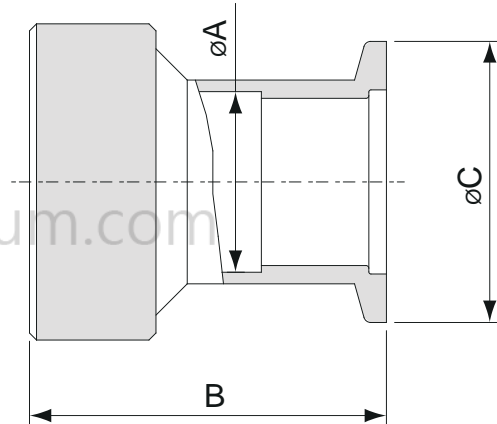
Thread Type: PT

Model No.	Material	A	B	C	Tread	Parts No.
KF16FPT3	304 S.S.	19.05	25	17	1/8"PT	17010213002
KF25FPT3	304 S.S.	25.4	25	19	1/8"PT	17010313002
KF40FPT3	304 S.S.	38.1	25	32	1/8"PT	17010513002
KF50FPT3	304 S.S.	50.8	25	46	1/8"PT	17010613002
KF16FPT6	304 S.S.	19.05	25	17	1/4"PT	17010213012
KF25FPT6	304 S.S.	25.4	25	19	1/4"PT	17010313012
KF40FPT6	304 S.S.	38.1	25	32	1/4"PT	17010513012
KF50FPT6	304 S.S.	50.8	25	46	1/4"PT	17010613012

Thread Type: NPT

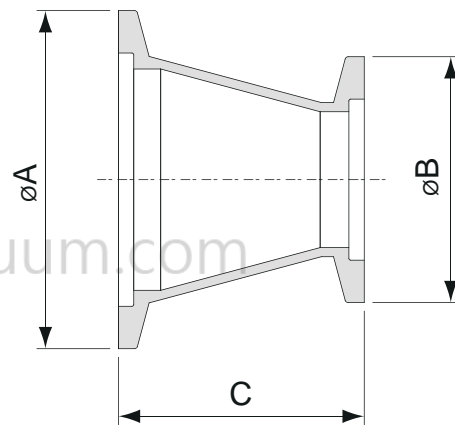
Model No.	Material	A	B	C	Tread	Parts No.
KF16FNPT3	304 S.S.	19.05	25	17	1/8"NPT	17010215002
KF25FNPT3	304 S.S.	25.4	25	19	1/8"NPT	17010315002
KF40FNPT3	304 S.S.	38.1	25	32	1/8"NPT	17010515002
KF50FNPT3	304 S.S.	50.8	25	46	1/8"NPT	17010615002
KF16FNPT6	304 S.S.	19.05	25	17	1/4"NPT	17010215012
KF25FNPT6	304 S.S.	25.4	25	19	1/4"NPT	17010315012
KF40FNPT6	304 S.S.	38.1	25	32	1/4"NPT	17010515012
KF50FNPT6	304 S.S.	50.8	25	46	1/4"NPT	17010615012

➔ **KF-Quick Disconnect Adaptor**



Model No.	Material	A	B	C	Tube Size	Parts No.
KF16QDA6	304 S.S.	6.5	33.4	30	1/4"	17010220012
KF16QDA13	304 S.S.	13	36.5	30	1/2"	17010220032
KF16QDA19	304 S.S.	19.3	44.5	30	3/4"	17010220052
KF25QDA13	304 S.S.	13	36.5	40	1/2"	17010320032
KF25QDA19	304 S.S.	19.3	44.5	40	3/4"	17010320052
KF25QDA25	304 S.S.	25.7	50.8	40	1"	17010320072
KF40QDA13	304 S.S.	13	36.5	55	1/2"	17010520032
KF40QDA19	304 S.S.	19.3	44.5	55	3/4"	17010520052
KF40QDA25	304 S.S.	25.7	50.8	55	1"	17010520072
KF40QDA38	304 S.S.	38.4	60.3	55	1-1/2"	17010520092
KF50QDA38	304 S.S.	38.4	60.3	75	1-1/2"	17010620092
KF50QDA50	304 S.S.	51	63.5	75	2"	17010620122

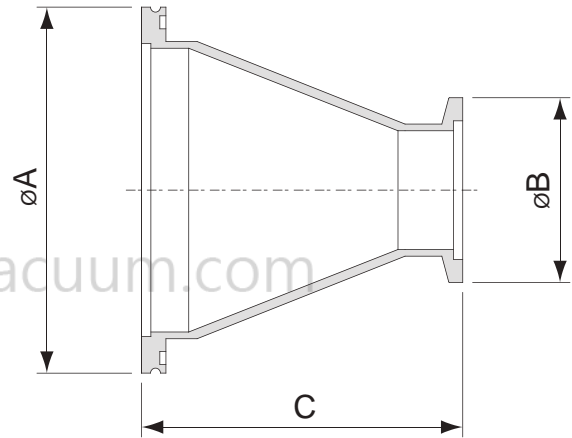
➔ **KF-KF Conical Reducing Adaptor**



Model No.	Material	A	B	C	Parts No.
KF25RA16	304 S.S.	40	30	40	17210301052
KF40RA16	304 S.S.	55	30	40	17210501052
KF40RA25	304 S.S.	55	40	40	17210501072
KF50RA16	304 S.S.	75	30	40	17210601052
KF50RA25	304 S.S.	75	40	40	17210601072
KF50RA40	304 S.S.	75	55	40	17210601092

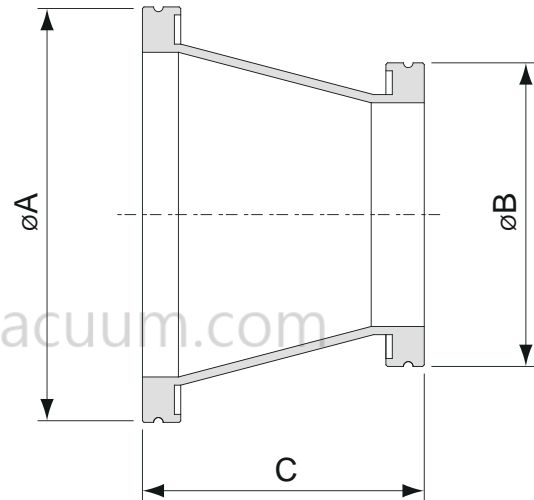


➔ **ISO-KF Conical Reducing Adaptor**



Model No.	Material	A	B	C	Parts No.
ISO80KRA40	304 S.S.	110	55	63	17220801092
ISO100KRA40	304 S.S.	130	55	63	17220901092
ISO80KRA50	304 S.S.	110	75	63	17220801122
ISO100KRA50	304 S.S.	130	75	63	17220901122

➔ **ISO-ISO Conical Reducing Adaptor**



Model No.	Material	A	B	C	Parts No.
ISO80RA63	304 S.S.	110	95	63	17220802132
ISO100RA63	304 S.S.	130	95	63	17220902132
ISO100RA80	304 S.S.	130	110	63	17220902142
ISO160RA63	304 S.S.	180	95	63	17221202132

